

POWER FILTER

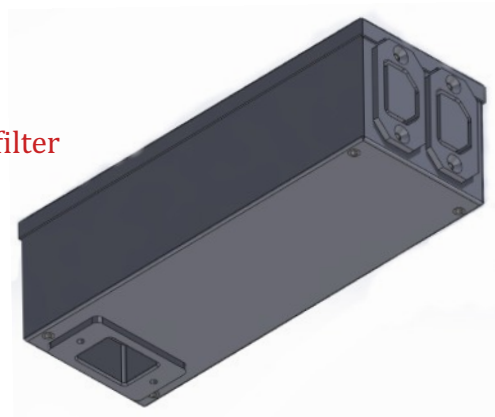
EMIPF16A-60dB

Feature Highlights

Power RF filter

Two-stage filter

High performance EMI suppression filter



Solution / Benefits:

The **EMIPF16A-60dB** TEMPEST Filter is designed to satisfy the requirements of your specific applications and projects.

A power filter is an electronic component that effectively reduces electromagnetic interference in power line of any equipment. Commonly, it is dedicated to improving the quality of the electrical energy and the efficiency of its use, in TEMPEST, EMP (Electromagnetic Pulse) and HEMP (High-Altitude Electromagnetic Pulse) applications.

The power filter ensures an attenuation of the unwanted signals of at least 100dB in the bandwidth from 14kHz to 10GHz, being included in the accepted industry standard for TEMPEST applications. It may call for data, telephone and control line filters to cover all systems at risk.

The **EMIPF16A-60dB** is designed for the most stringent TEMPEST applications requiring compliance to **SDIP-27/2 Level A, B or C** or **EU IASG 7-03 Level A, B or C**.

Installation of filter supports equipment compliance with the requirement of the relevant InfoSec of the NSA Authority.

NOTE: EMI Shielding S.R.L. has the policy of continuing development and reserves the right to make design changes and improvements to the products. Specifications are subject to be changed without notice.

Company: EMI Shielding S.R.L., Unique Registration Code: RO 1285077, Trade Register Number: J23/503/29.01.2021, Address: Șos. Alexandriei, No. 82, Bragadiru, Ilfov, Romania, 077025, Email: office@roshielding.ro, Certified: ISO 9001

**EMI
SHIELDING**



TECHNICAL PARAMETERS

EMIPF16A-60dB

Brand	EMI Shielding
Product Specifications	
Functionality	60dB in the range of 14KHz ÷ 10GHz
Rated voltage Single Phase	240VAC
Rated Current	16A @40°C
Output Connectors	1 x IEC 60320, C-13*
Input Connector	1 x IEC 60320, C-20
Voltage Drop	<0.5V @ 6A DC
Line DC Resistance	<100mΩ
Heat dissipation	<10W
Dimensions (WxDxH)	max. 115x483x75mm
Weight	max. 1,5Kg
Operating Temperature	-25 °C to +100 °C
Climatic category	25/100/21 acc. to IEC60068-1
Operating Humidity	20 ÷ 80% (no condensation)
Warranty	2 Years
TEMPEST	NATO SDIP 27/2 Level A, B or C and EU IASG 7-03 Level A, B or C
Conducted Emission Limits	CISPR 25 Class 5 compliant

Note: *Optional 2

EMI
SHIELDING

